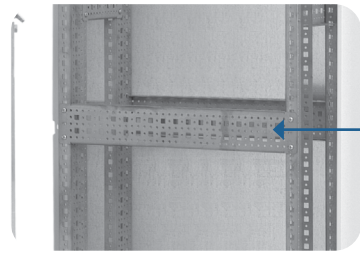


INDUSTRIAL MODULAR SYSTEM (IMS) ACCESSORIES

HORIZONTAL MOUNTING GRID

Designed to provide a horizontal extension of the frame holes in the sides of the IMS enclosure. Sold in sets of two with mounting hardware included. Made of galvanized material.

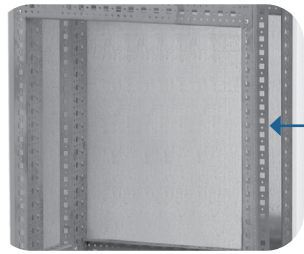


Horizontal Mounting Grid

Catalog No.	Width (B)	Ref. mm Width (B)	Qty Per Kit	Product Code
SCE-HMG175	6.89	175	2	P5
SCE-HMG225	8.88	225	2	P5
SCE-HMG300	11.81	300	2	P5
SCE-HMG400	15.75	400	2	P5
SCE-HMG475	18.70	475	2	P5
SCE-HMG575	22.62	575	2	P5
SCE-HMG675	26.56	675	2	P5
SCE-HMG775	30.50	775	2	P5

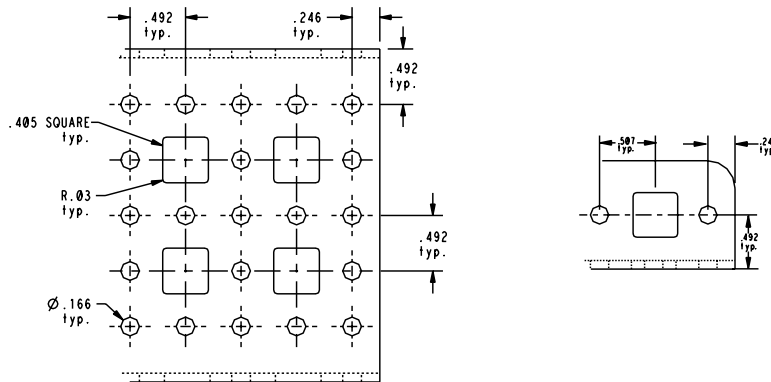
VERTICAL MOUNTING GRID

Designed to provide a vertical extension from top to bottom of the IMS enclosure. Sold in sets of two and mounting hardware is included. Made of galvanized material.



Vertical Mounting Grid

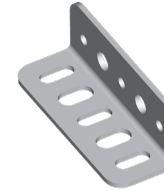
Catalog No.	Height (A)	Used With Ref. mm Height (A)	Enclosure Ref. mm Height	Qty Per Kit	Product Code
SCE-VMG18	66.93	1687.50	1800	2	P5
SCE-VMG20	74.8	1887.50	2000	2	P5



INDUSTRIAL MODULAR SYSTEM (IMS) ACCESSORIES

GRID MOUNTING ANGLE

Designed to provide flexible mounting of horizontal and vertical mounting grids. Made of galvanized material.

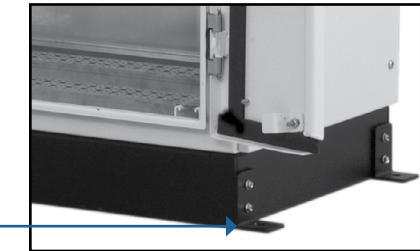


Catalog No.	Parts Per Kit	Product Code
SCE-GMA	4	P5

FLOOR-MOUNTING ANGLES

Designed for use with IMS enclosures when the enclosure must be secured to the floor. Kit contains four floor-mounting angles and mounting hardware. Black textured powder coat finish.

Catalog No.	Parts Per Kit	Product Code
SCE-FMA	4	P5

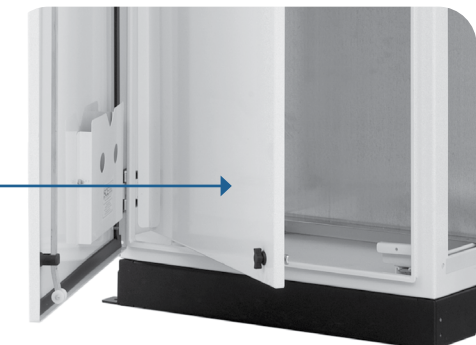


Floor-Mounting Angle

DEAD FRONT/SWING PANEL

Designed for installation into IMS enclosures, to be installed in the front of an enclosure and to swing out of the enclosure. Kit consists of heavy gauge brackets, hinges, and mounting hardware. Installed by detaching door hinge from enclosure and installing swing-out panel kit to the existing holes and hinge supplied with the enclosure. Made of heavy gauge steel and powder coated white.

Catalog No.	Height (A)	Ref. mm Height (A)	Width (B)	Ref. mm Width (B)	Used With Enclosure Ref. mm Height	Used With Enclosure Ref. mm Width	Product Code
SCE-DF1806	65.88	1675.35	19.38	492.25	1800	600 & 1200	P5
SCE-DF1808	65.88	1675.35	27.25	692.15	1800	800 & 1600	P5
SCE-DF1809	65.88	1675.35	31.25	793.75	1800	1800	P5
SCE-DF1810	65.88	1675.35	35.13	892.30	1800	1000	P5
SCE-DF2006	73.75	1873.25	19.38	492.25	2000	600 & 1200	P5
SCE-DF2008	73.75	1873.25	27.25	692.15	2000	800 & 1600	P5
SCE-DF2009	73.75	1873.25	31.25	793.75	2000	1800	P5
SCE-DF2010	73.75	1873.25	35.13	892.30	2000	1000	P5



Dead Front/Swing Panel